

CLR 1HBF WHT

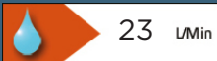
CLARET Tap Range Claret 1 Hole Bath Filler White



Features:

- Long life ceramic cartridge for added durability and ease of use
- Metal fixing nut for added durability
- Easy to use metal handle
- Minimum working pressure of 1.5 bar

Product Certifications:



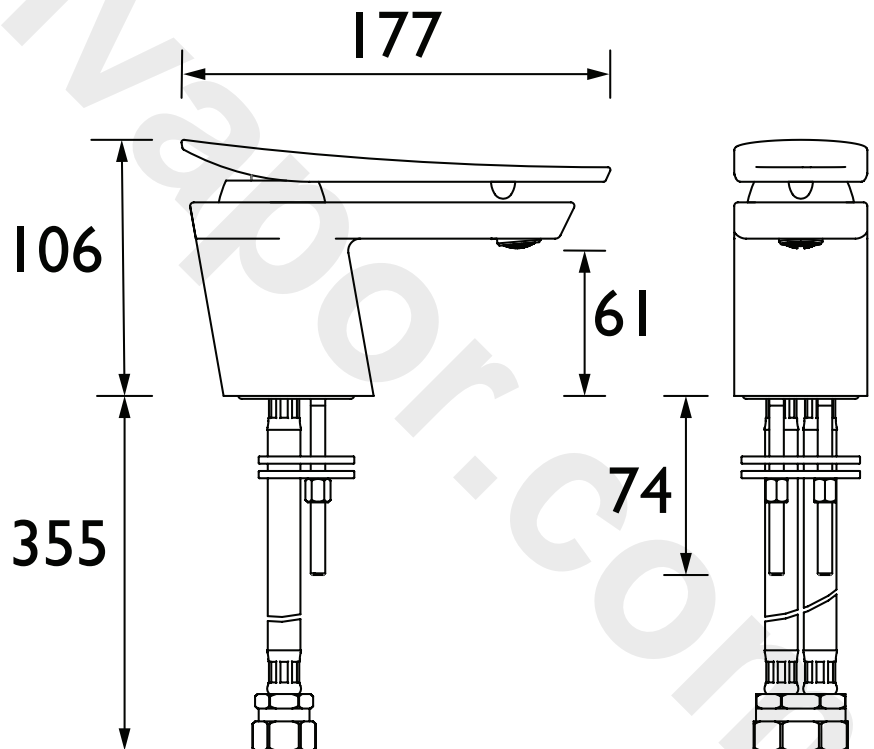
For more products, visit our website:
<http://www.bristan.com>



Specification

Product Type:	Bathroom Taps
Main Construction Material:	Brass
Mount Type:	Deck Mounted
Handle Type:	Lever Handle
Connection Inlet:	3/4" BSP
Connection Outlet:	M24 Coin Slot Anti-Splash
Number of Tap Holes:	1
Valve/Cartridge Type:	35mm Single Lever Cartridge
Plumbing System Requirements:	High Pressure Systems Only
Minimum Dynamic Pressure:	1.5 bar
Maximum Dynamic Pressure:	5.0 bar
Maximum Hot Water Temperature: °C	65
Maximum Static Pressure: (bar)	10
Flow Type:	Single Flow
Isolation Included:	No

Dimensions (measurements in mm)



Flow Rates (l/min)

System Pressure (bar)	1.5	2	3	5
CLR 1HBF WHT	16.9	18.8	23	30.4

TECHNICAL
DATA
SHEET



BRISTAN

D4